

Work happily



V1.3

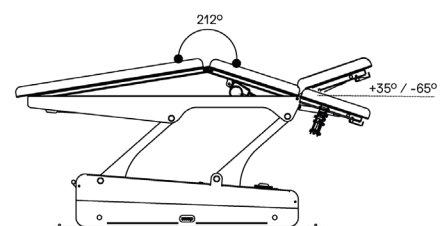
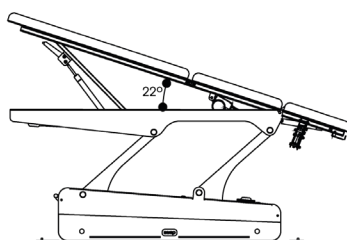
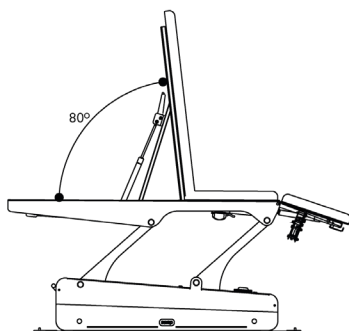
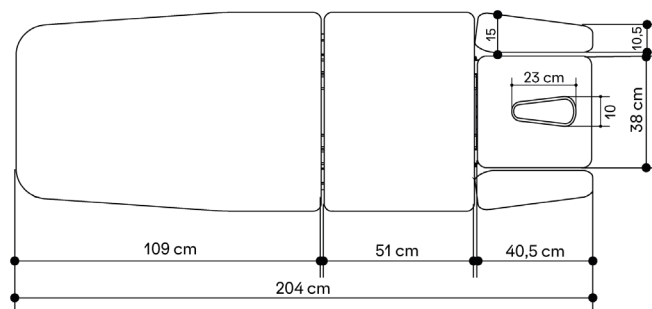
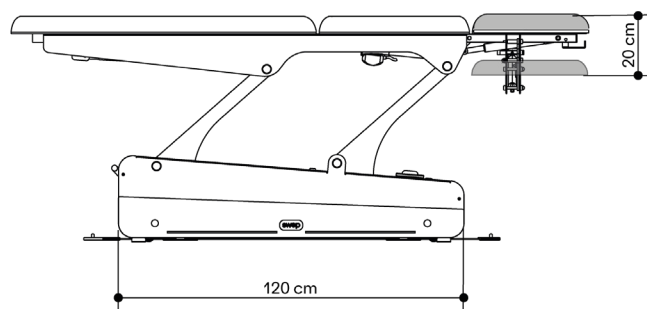
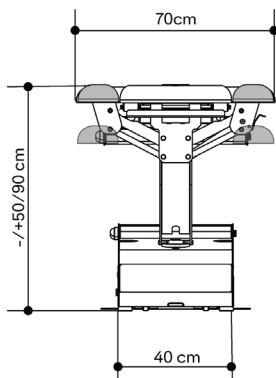
naggura'swop

naggura.com

Swop 5 Up Physio



Dimensions



*The images and the colours of the products shown are as accurately as possible. However, they must be considered for information purposes only and are in no way binding and of a contractual nature.

Swop 5 Up Physio



General Specifications

MOTORS

1 engine height (6000N)
1 engine middle section
(6000N)

FRAME COLOUR

Space ball is RAL 7015
Base Frame is RAL 7047

DIMENSIONS (LENGTH X WIDTH)

204 x 70 cm

INSULATION CLASS

Reinforced insulation II

HEIGHT (MIN. AND MAX.)

50/90 cm

PRODUCT CLASSIFICATION

Class I Equipment

WEIGHT

119 kg

APPLIED PARTS

Type B

LIFTING CAPACITY

250 kg

MOISTURE RESISTENCE

IPx0

POWER SUPPLY

230 V - 50/60 Hz

FEEDER CABLE

2,5m, white

Operation

TwinLift® arm supports: stepless and simultaneously adjustable with gas spring. No collision with the therapist.

Head section with 2 gas springs. Foot section with 1 gas spring.

Space ball peripheral switch, easy access from all sides of the table.

4 wheels turning 360°. Fully integrated system underneath the base frame. 1 Central lever.

Electrically adjustable middle section. Switches on both sides.

Cushion with heating: XL heating elements with 2 temperature levels, auto switch-off and switches on both sides.

Upholstery

Manipulation cushions on the middle- and footsection
6,5 cm: multiplex wood (1,5 cm) + high density foam (4cm)
+ low density top layer (1cm)

Headsection 6,5cm: multiplex wood (1,5 cm) + low density foam (5cm)

All cushions with straight edges and finished with saddle stitch.

Naggura Skin upholstery: 100% vinyl compound.

Protection against germs and UV rays.

Superior abrasion resistance: >250K cycles.

Flame retardancy: NF P 92-503/M2

Colour: Graphite

Warranty and conformity

WARRANTY

2 years on table and upholstery

CONFORMITY

EN ISO 14971: 2019, EN ISO 20417:2021,

EN ISO 15223-1: 2016, ISO 10993-1: 2018,

EN ISO 10993-5: 2009, EN ISO 10993-10: 2013,

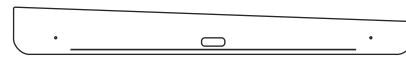
EN ISO 13485:2016,

EN 60601-2-52:2010+ AC:2011+A1:2015,

EN 60601-1-2:2015+ A1:2020,

EN 60601-1:2006+ A1:2013+AC:2014+A12:2014 +A2:2020

Collections



Nordic METAL



Yellow



Blue



Pink

Foll METAL



Ash



Clay

Iron METAL



Inox



Black

Om WOOD



Oak



Wenge

Techno PMMA



Fluor



Fuxia



Ice

Accessories

Paper roll holder



Bamboo Sound System



Bed Covers



Safety

Safety switch with key (power off).
Motor with safety clutch.